

Benefits

Eliminates All Stapling, Folding, and Tucking of Facing for Faster installation

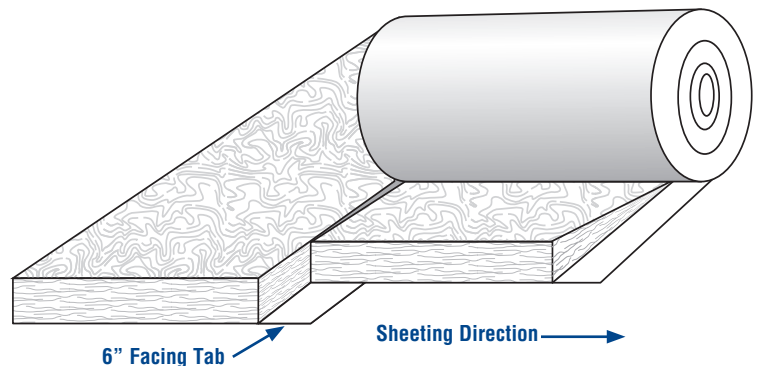
Tighter Fiberglass Joints

Superior Integrity of Vapor Barrier

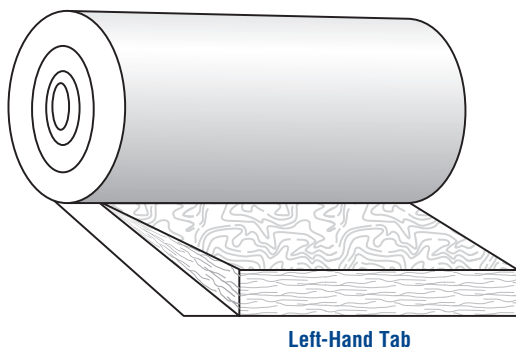
Improved Appearance

Installation

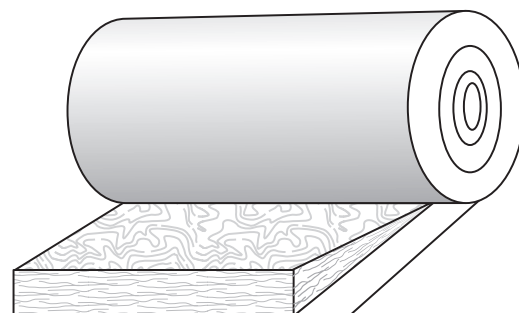
1. The first roll is installed across purlins or girts, with the 6" tab as the leading edge.
2. Stretch material tight so that no sags exist and appearance is smooth and wrinkle free.
3. It is recommended that the roll be secured at each end with double stick tape, glue, clamps, or other method.
4. The next roll is installed with the trailing edge (no tab) nested tightly against and over leading edge tab from first roll.
5. Position and secure second roll.
6. Repeat the process for remaining roof or wall area.



Facing tabs can be ordered for left or right side. Right-hand tab is standard when no preference is specified.



Left-Hand Tab

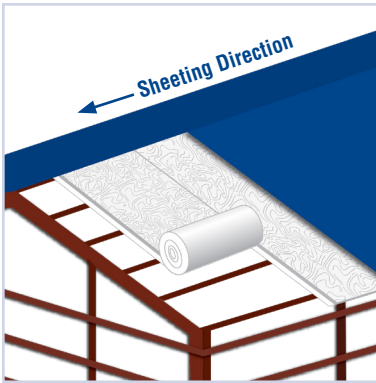


Right-Hand Tab

Option for tape tabs (double-stick tape pre-applied to the tabs) available.

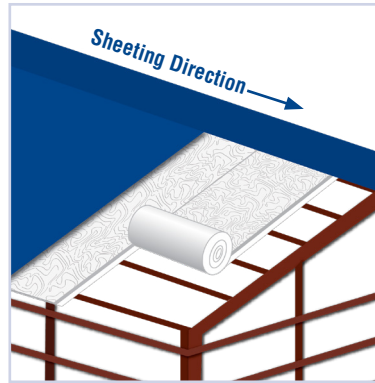
Common Applications

Roof - When Unrolling, Roll Down From Ridge or High Eave



When Sheeting
RIGHT to LEFT

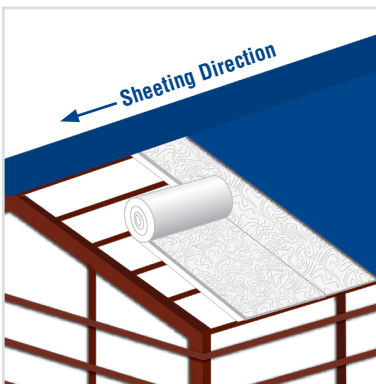
Use **RIGHT** Tab



When Sheeting
LEFT to RIGHT

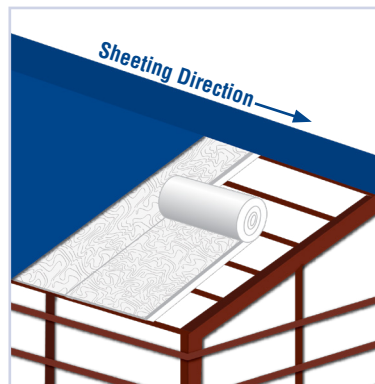
Use **LEFT** Tab

Roof - When Unrolling, Roll Up From Low Eave



When Sheeting
RIGHT to LEFT

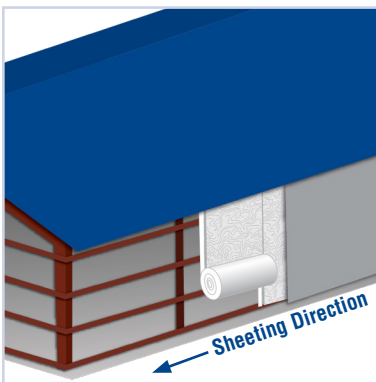
Use **LEFT** Tab



When Sheeting
LEFT to RIGHT

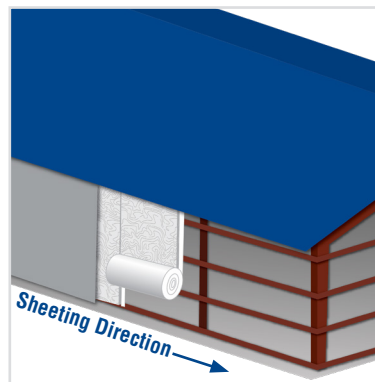
Use **RIGHT** Tab

Wall - When Unrolling, Roll Down from Top of Wall



When Sheeting
RIGHT to LEFT

Use **RIGHT** Tab



When Sheeting
LEFT to RIGHT

Use **LEFT** Tab

Questions? Contact your Bay District Manager.