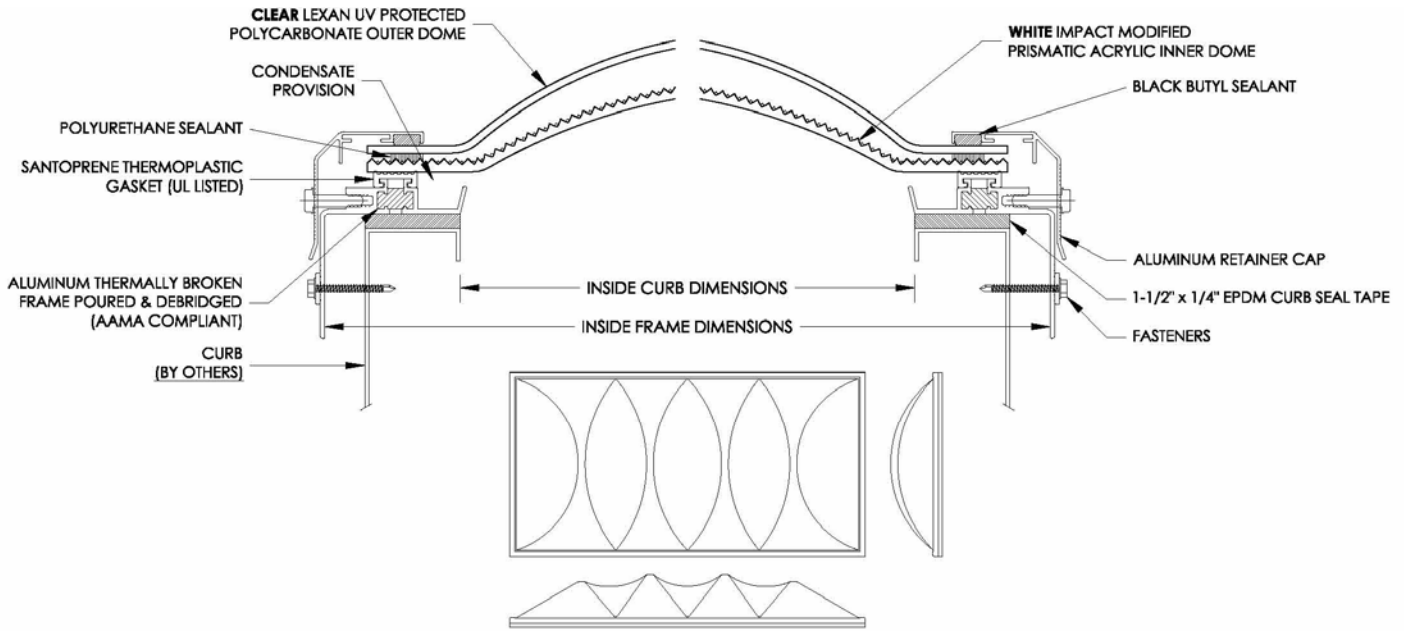


# Double Glazed

## Fixed Industrial Skylights



Polycarbonate/Prismatic Triarch



### Standard Sizes

Call-Out Size*	Model Number / Inside Curb Dimensions	Net I.D. Clear Frame	Options:
4040	4848	52 1/4" x 52 1/4"	1. Painted Frames
5060	6072	64 1/4" x 76 1/4"	2. Security Grills
4080	4896	52 1/4" x 100 1/4"	3. Safety Screens
			4. Curbs

\*Many other sizes available

Solar Heat Gain Coefficient = .54, U Factor = .55, Visible Light Transmission = 50% (Typical for double glazed units)

### Specifications

- Skylights shall be Baylight (curb mounted) by Bay Insulation, 2929 Walker Drive, Green Bay, WI 54311
- The skylight shall be fully factory assembled consisting of a polycarbonate and plastic dome using prismatic material with a CC-1 classification that is sealed by interior and exterior gaskets to a 6063-T5 heliarc welded aluminum frame fabricated of aluminum and polyurethane thermal break material to prevent thermal losses through the frame and the formation of condensation on its interior surfaces. The frame is to have an integral condensation channel. The aluminum retaining cap fasteners are to be corrosive resistant.
- Skylights shall be double glazed using Lexan UV Protected Polycarbonate over SR25 White Prismatic lens, CC-1 Acrylic in a Triarch Dome configuration.
- Skylight fasteners shall be #12 x 2" SMS spaced 12" O.C.
- Materials tested in conformance with FM 4431 including 2" severe hail test.



Bay Insulation Systems Inc.  
5305 Hollins Road  
Roanoke, VA 24019  
866/467-5247

Bay Insulation Systems Inc.  
111 West McCarty Lane  
San Marcos, TX 78666  
866/512-6790

Bay Insulation Systems Inc.  
4545 Emanuel Cleaver II Blvd.  
Kansas City, MO 64130  
800/225-8892